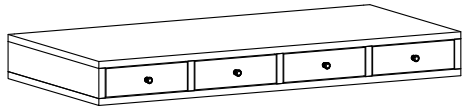
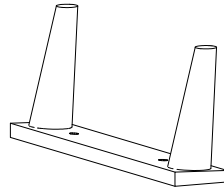


ASSEMBLY INSTRUCTION



x1



x2

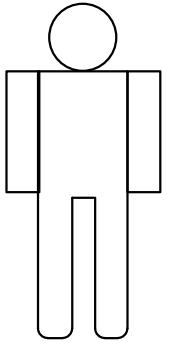
x4



x1

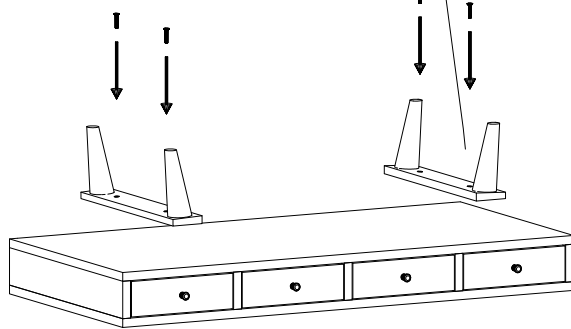
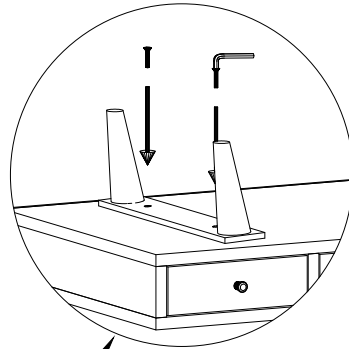


x1

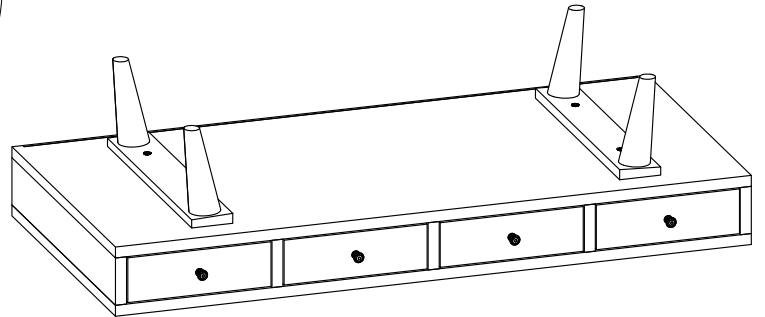


x2

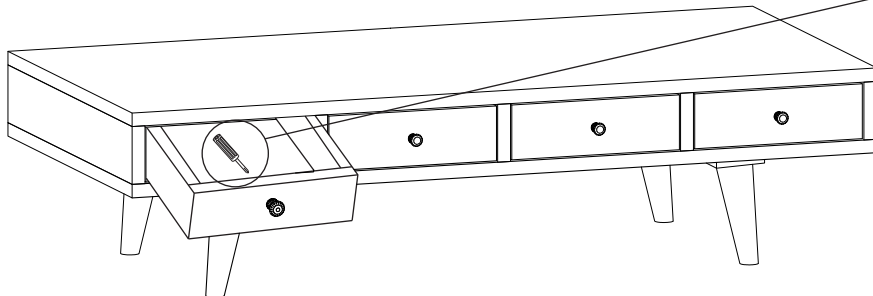
Step-1



Step-2



Step-3



Step-4

