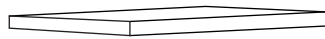


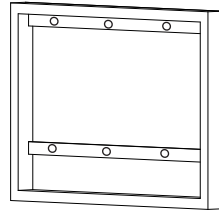
ASSEMBLY INSTRUCTION



x1



x1

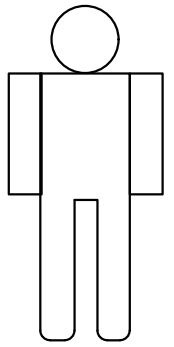


x2

x12 

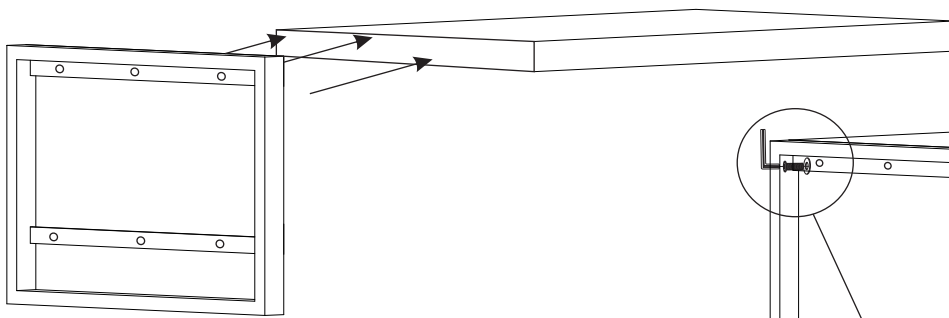
x12 

x1 

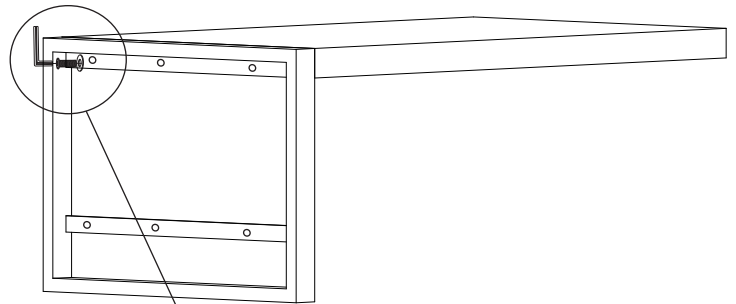


x2

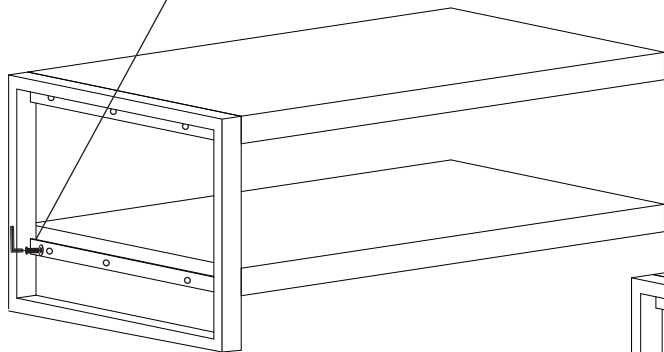
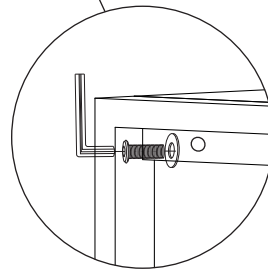
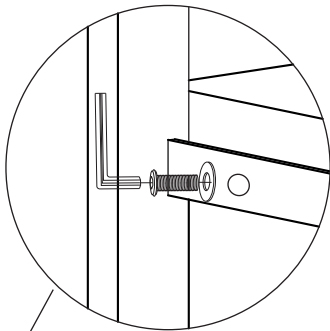
Step-1



Step-2



Step-3



Step-4

