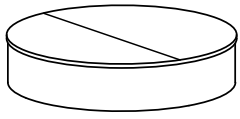
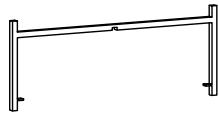


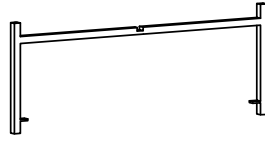
ASSEMBLY INSTRUCTION



x1



x1

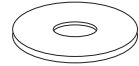


x2

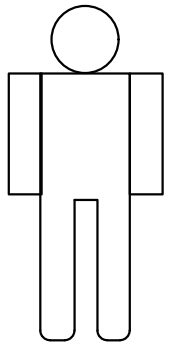
x5



x5

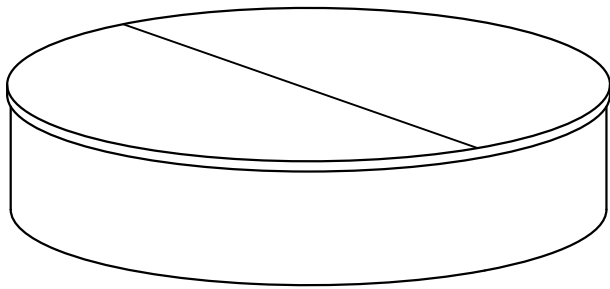


x1

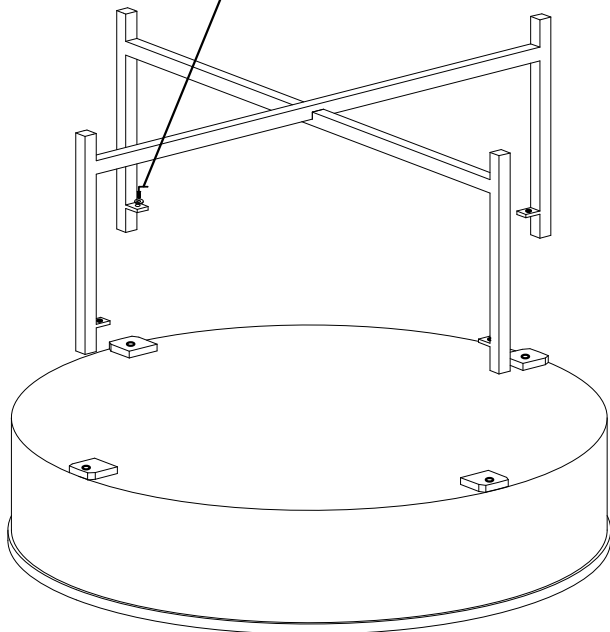
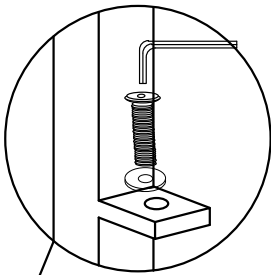


x2

Step-1

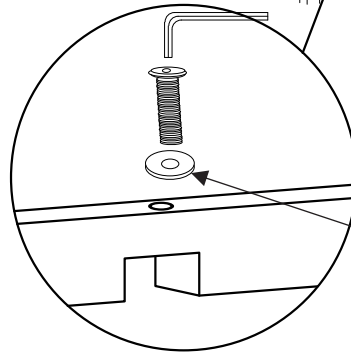
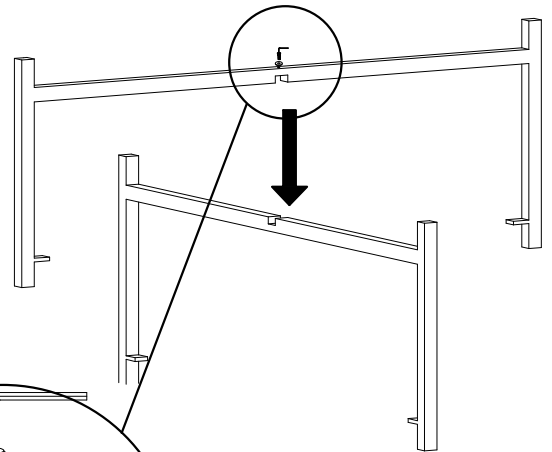


Step-3



Step-3

(2)



CAUTION:
- First tighten the leg screws to about 70%.
- Align the holes of legs with the holes in the table top.
- Tighten all screws completely.

Step-4

